

# ASE-C-B



## Broadband ASE Source, 40 nm Benchtop

The Optilab ASE-C-B is an Amplified Spontaneous Emission (ASE) based broadband light source, designed for general laboratory applications. The ASE-C-B is a reliable and cost-effective benchtop unit that can be ordered with various output power levels. The LD operating temperature and drive current are precisely monitored by a micro-controller to ensure constant output power and emission wavelength stability. With its simple and intuitive front panel interface, the user can control the ASE source output power level by adjusting the drive current along with local and remote status monitoring, contact Optilab for more information.

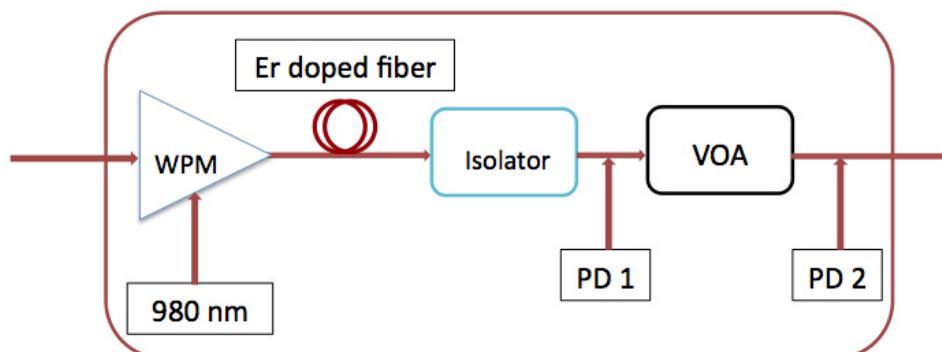
### Features

- Emission wavelength 1527 nm - 1565 nm
- Minimal ripple in emission spectrum
- 980 nm pump
- Up to 100mW Total Power
- Monitoring and control Via USB
- Optional Variable Optical Attenuator

### Applications

- Fiber Sensors
- Optical tomography
- DWDM component characterization
- Optical gyroscope

### Functional Diagram



# Broadband ASE Source, 40 nm Benchtop| ASE-C-B

## OPTIONS

**ASE-C-xxx-B-y**

xxx Optical Power Level (mW): 50, 100

y V: (VOA)

## TECHNICAL INFO

For technical info and support:

[sales@optilab.com](mailto:sales@optilab.com)

[www.optilab.com](http://www.optilab.com)

## WEB ORDER

To order, please click below.



## Optilab Advantage

- Innovation
- Performance
- Quality
- Customization
- Warranty

Technical Specifications	
Wavelength Range	1527 nm to 1565 nm
Special Flatness	± 2.5 dB
Output Power	20, 50 and 100mW
LD control	Bias current
Output Power Stability	± 0.5 dB over 8 hours
Spectral Ripple	5% typ.
Center Wavelength Stability	± 0.1 nm over 8 hours
Side Mode Suppression Ratio	45 dB typ.
Optical Isolation	30 dB min.
Adjustable Features and Ranges	
Output Control	On/Off
Variable Optical Attenuator	Up to 20 dB adjustment
Mechanical Specifications	
Operating Temperature	10° C to +50° C
Storage Temperature	-10° C to +70° C
Operating Humidity	0% to 85% Relative Humidity
Power Supply	80 – 240 V, 43 – 63 Hz AC or 40 - 58 V DC (Optional)
Power Consumption	60 W max.
Housing Dimensions	Benchtop, 280 x 87 x 323 mm
Control / Monitoring	PumpCurrent, Output Power, VOA
Remote Control	RS-232 via USB
Display	Pump Current, Output Power
Optical Connectors	FC/APC and other options
Optical Fiber Type	SMF-28

## Sample Spectral Response

