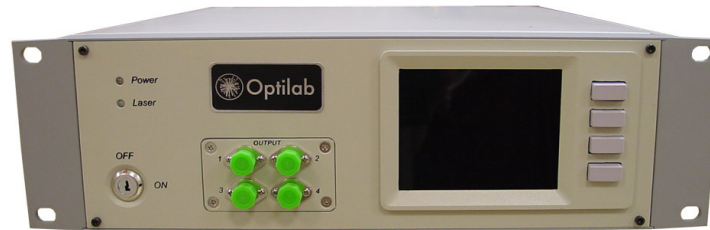


DFB-4-B-1310-CWDM-PM



4 Channel DFB Laser Source, Benchtop, 1310 nm, CWDM

The Optilab DFB-4-B-1310-CWDM-PM is a Distributed Feedback (DFB) laser source in a benchtop unit designed for general laboratory applications. The DFB-4-B-1310-CWDM-PM is a reliable and high-performance DFB laser source for providing four CWDM wavelength in the O-band region, with the DFB laser's operating temperature and drive current precisely monitored by a micro-controller to ensure constant output power and emission wavelength stability. Using its intuitive front panel or an optional USB interface, the user can control the DFB output power level by adjusting the laser drive current and emission wavelength via TEC. Contact Optilab for more information.

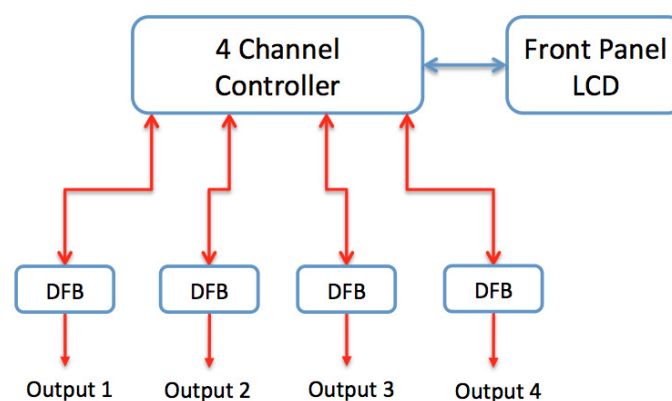
Features

- CWDM DFB wavelength:
1270 nm, 1290 nm, 1310 nm, 1330 nm
- Stability Wavelength to ± 5 pm
- Polarization Maintaining (PM) output
- USB Control Interface
- Wavelength tuning range: ± 1.5 nm

Applications

- Laboratory Testing and Measurement
- CWDM Networks
- Seed Laser
- Fiber Optics Components Testing

Functional Diagram



4 Channel DFB Laser Source, Benchtop, 1310 nm, CWDM

OPTIONS

DFB-4-B-1310-CWDM-PM

TECHNICAL INFO

For technical info and support:

sales@optilab.com

www.optilab.com

WEB ORDER

To order, please click the link below.



Optilab Advantage

- Innovation
- Performance
- Quality
- Customization
- Warranty

Technical Specifications	
Number of DFB	4 Lasers in One Unit
Wavelengths	1270 nm, 1290 nm, 1310 nm, 1330 nm
Wavelength Tuning Range	±1.5 nm
Output Power	5 mW min.
Output Power Stability	± 0.1 dB over 8 hours
Wavelength Stability	±5 pm over 8 Hours
Laser Linewidth	2 MHz typ.
Side Mode Suppression Ratio	45 dB typ.
Optical Isolator	30 dB min.
Relative Intensity Noise	-145 dB/Hz max.
Polarization Extinction Ratio	20 dB typ.
Adjustable Features and Output	
Channel Output Control	On/Off
DFB Power Output	10 -100% adjustable range
DFB Wavelength Tuning	±1.5 nm (from wavelength center)
Mechanical Specifications	
Operating Temperature	10° C to +50° C
Storage Temperature	-10° C to +70° C
Operating Humidity	0% to 85% Relative Humidity
Power Supply	80 – 240 V, 43 – 63 Hz AC or 40 - 58 V DC (Optional)
Power Consumption	50 W max.
Housing Dimensions	Benchtop, 14" x 12.5" x 3.5"
Control / Monitoring	LD Current, Output Power, Laser Wavelength
Remote Control	RS-232 via USB Connector
Control / Monitoring	LD Current, Laser Wavelength
Optical Connectors	FC/APC; Other options are available
Optical Fiber Type	PANDA for PM Output

Remote Labview Interface

