

LRS-16



Lightwave Receiver System with 16 Module Capacity

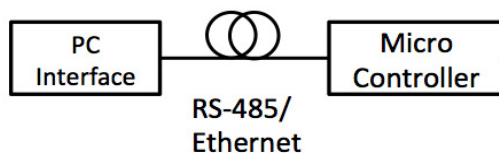
The Optilab LRS-16 is an intuitive, fully integrated system designed for multiple channel RF over Fiber (RFoF) applications. This high density system provides an efficient platform for space utilization and centralized control/monitoring. With a 16 channel capacity, a wide variety of Optilab modules can be integrated into this platform including PR (Photo Receiver), PD (Photo Detector), EDFA(Erbium-Doped Fiber Amplifier), VOA (Variable Optical Attenuator), and passive WDM devices. This 3RU model features dual power supplies and an LCD display for module status and operation conditions. With LRS management software, the system and module parameters can be monitored and controlled remotely via Ethernet or RS-485. Contact Optilab for more information.

Features

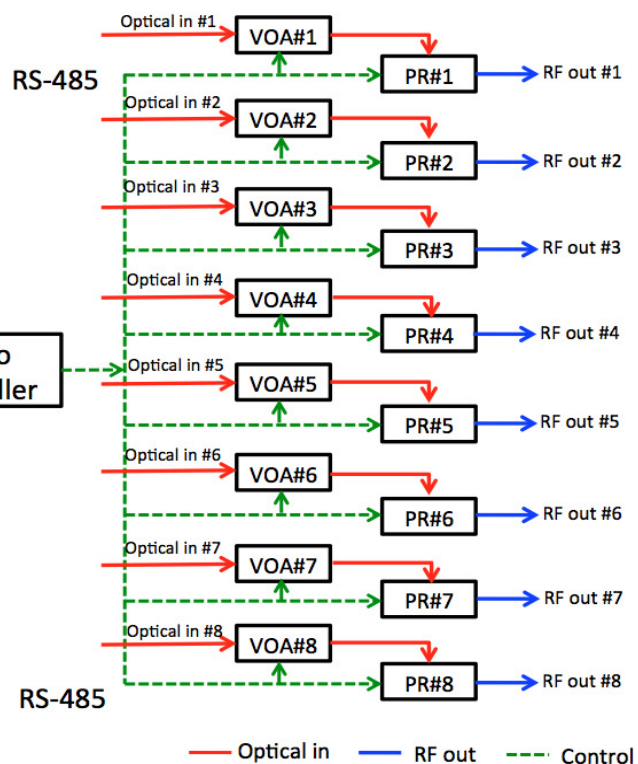
- High-capacity 3RU housing for 16 modules:
 - PR (Photo Receiver)
 - PD (Photo Detector)
 - EDFA (Erbium-Doped Fiber Amplifier)
 - Passive (Mux, splitter), VOA
- Complete customization of RFoF system
- LRS Management software for control/monitoring of all modules
- Remote control, RS-485 or ethernet

Applications

- Multiple channel RFoF system
- Multiple wavelength RFoF link over single fiber
- Multiple satellite antenna distribution



Functional Diagram (Example) 8 x VOA + 8 x PR System



Lightwave Receiver System with 16 Module Capacity

OPTIONS

LRS-16

TECHNICAL INFO

For technical info and support:

sales@optilab.com

www.optilab.com

WEB ORDER

To order, please visit OEQuest.com.

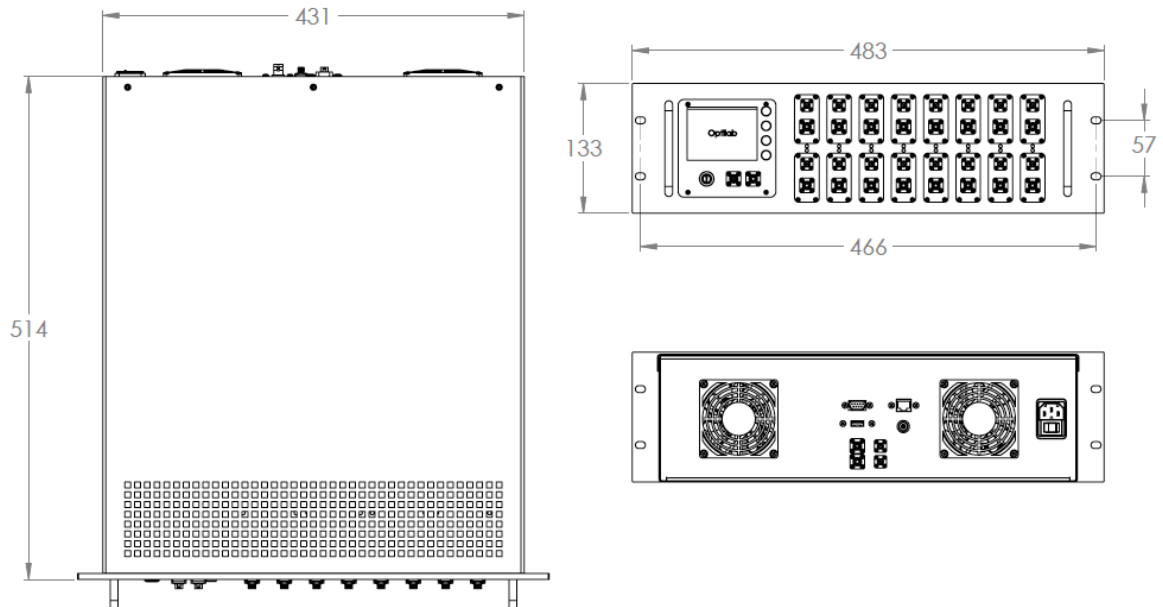


General Specifications	
Operating Temperature	20°C to +55°C
Storage Temperature	-40°C to +85°C
Humidity	10% to 90% (non-condensing)
Dimension	11.52" L x 19.00" W x 5.25" (3 RU) H
Power Supply	Dual redundant
Power Requirement	110/240 VAC , 50-60 Hz, (2A max. optional), DC power supplies avail.
Monitoring & Control, Interface	
Local	LED for status display
Remote	Optilab LRS management software
RF Connector	K type, V type, or SMA depending upon RF requirements
Optical Connector	FC/APC, additional options available
Interface Connector	FC/APC, additional options available
Remote Control	RS-485 / Ethernet

Mechanical Drawing

Optilab Advantage

- Innovation
- Performance
- Quality
- Customization
- Warranty



Lightwave Receiver System with 16 Module Capacity

Modules Available for Integration with LRS-16

PR Series	Description
PR-12-M	12 GHz PhotoReceiver, Module
PR-20-M	20 GHz Photo Receiver Module
PR-23-M	23 GHz Photo Receiver Module
BPR-20-M	20 GHz Balanced Photo Receiver Module
BPR-23-M	23 GHz Balanced Photo Receiver Module

MD Series	Description
PD-20-M	20 GHz Photodiode, Module
PD-30-M	30 GHz Photodiode, Module
PD-40-M	40 GHz Photodiode, Module
PD-50-M	50 GHz Photodiode, Module

EDFA Series	Description
EDFA-PA-M	25 dB Gain Pre-Amp EDFA Module, C-band
EDFA-18-LC-M	18 dBm EDFA Module with Low Current Consumption

Passive, VOA	Description
DeMUX-4	4 Channel DWDM Multiplexer, 200 GHz spacing
DeMUX-16	16 Channel DWDM Multiplexer, 200 GHz spacing
DeMUX-40	40 Channel DWDM Multiplexer, 200 GHz spacing
SPLT-4	4 Channel Splitter
SPLT-8	8 Channel Splitter
SPLT-16	16 Channel Splitter
VOA	Variable Optical Attenuator