

LTS-16



Lightwave Transmitter System with 16 Module Capacity

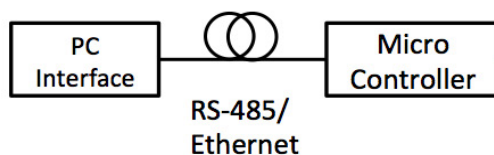
The Optilab LTS-16 is an intuitive, fully integrated system designed for multiple channel RF over Fiber (RFoF) applications. This high density system provides an efficient platform for space utilization and centralized control/monitoring. With a 16 channel capacity, a wide variety of Optilab modules can be integrated into this platform including LT (Lightwave Transmitter), MD (Modulator Driver), EDFA(Erbium-Doped Fiber Amplifier), and passive devices (Mux, splitter). This 3RU model features dual power supplies and an LCD display for module status and operation conditions. With LTS management software, the system and module parameters can be monitored and controlled remotely via Ethernet or RS-485. Contact Optilab for more information.

Features

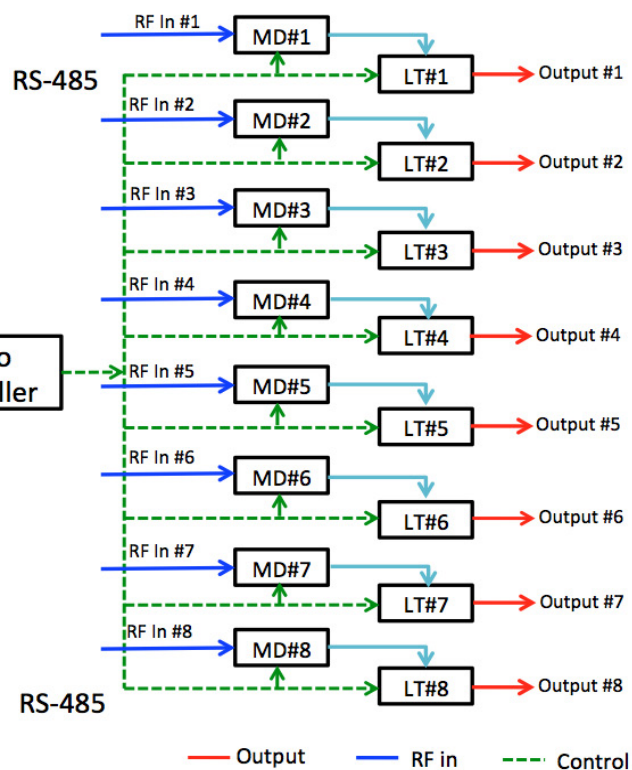
- High-capacity 3RU housing for 16 modules:
 - LT (Lightwave Transmitter)
 - MD (Modulator Driver)
 - EDFA (Erbium-Doped Fiber Amplifier)
 - Passive (Mux, splitter)
- Complete customization of RFoF system
- LTS Management software for control/monitoring of all modules
- Remote control, RS-485 or ethernet

Applications

- Multiple channel RFoF system
- Multiple wavelength RFoF link over single fiber
- Multiple satellite antenna distribution



Functional Diagram (Example) 8 x MD + 8 x LT System



Lightwave Transmitter System with 16 Module Capacity

OPTIONS

LTS-16

TECHNICAL INFO

For technical info and support:

sales@optilab.com

www.optilab.com

WEB ORDER

To order, please visit OEQuest.com.

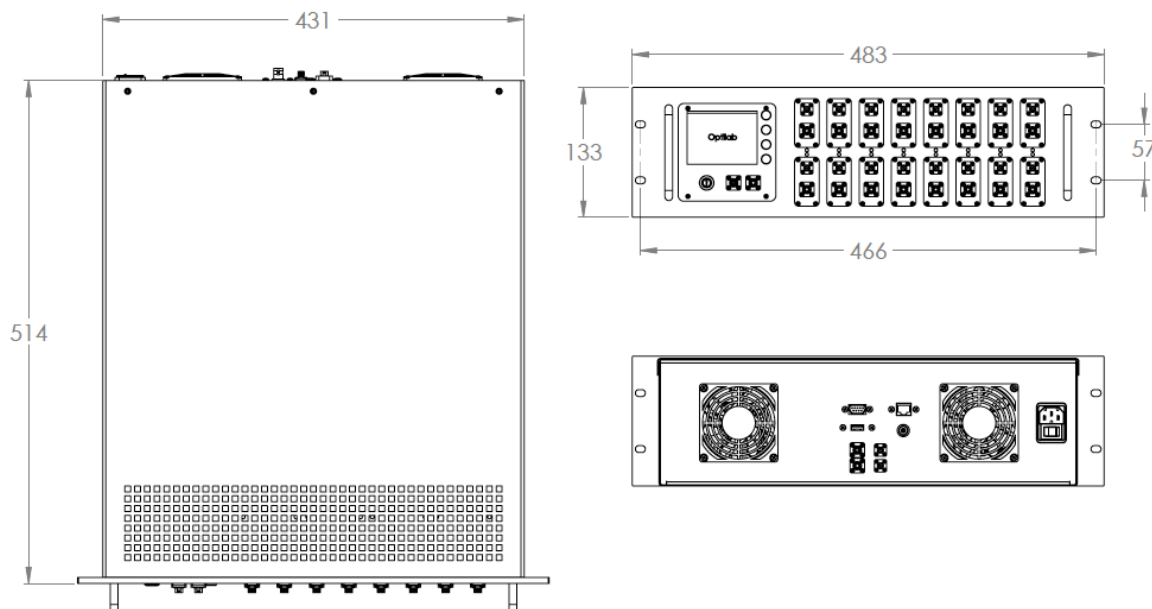


General Specifications	
Operating Temperature	20°C to +55°C
Storage Temperature	-40°C to +85°C
Humidity	10% to 90% (non-condensing)
Dimension	11.52" L x 19.00" W x 5.25" (3 RU) H
Power Supply	Dual redundant
Power Requirement	110/240 VAC , 50-60 Hz, (2A max. optional), DC power supplies avail.
Monitoring & Control, Interface	
Local	LED for status display
Remote	Optilab LTS management software
RF Connector	K type, V type, or SMA depending upon RF requirements
Optical Connector	FC/APC, additional options available
Interface Connector	FC/APC, additional options available
Remote Control	RS-485 / Ethernet

Mechanical Drawing

Optilab Advantage

- Innovation
- Performance
- Quality
- Customization
- Warranty



Lightwave Transmitter System with 16 Module Capacity

Modules Available for Integration with LTS-16

LT Series	Description
LTB-12	12 GHz Lightwave Transmitter Board
LTB-20	20 GHz Lightwave Transmitter Board
LTB-40	40 GHz Lightwave Transmitter Board
LTB-20-LD	20 GHz Lightwave Transmitter Board, Low Drive
LTB-40-LD	40 GHz Lightwave Transmitter Board, Low Drive

* LTB can be ordered from 40 DWDM wavelenghtes for single fiber link

MD Series	Description
MD-12	12 GHz Modulator Driver /RF Amplifier
MD-20	20 GHz Modulator Driver/RF Amplifier
MD-40	40 GHz Modulator Driver/RF Amplifier
MD-50	50 GHz Modulator Driver/RF Amplifier

EDFA Series	Description
EDFA-PA-M	25 dB Gain Pre-Amp EDFA Module, C-band
EDFA-18-LC-M	18 dBm EDFA Module with Low Current Consumption
EDFA-23-M	23 dBm In-Line EDFA

Passive	Description
MUX-4	4 Channel Multiplexer
MUX-16	16 Channel Multiplexer
MUX-40	40 Channel Multiplexer
SPLT-4	4 Channel Splitter
SPLT-8	8 Channel Splitter
SPLT-16	16 Channel Splitter